



Type(s)  
Project  
Date  
Notes

**GENERAL INFORMATION**

Ion Xe 20 is a compact console that includes programming and playback controls. In addition to the backlit keyboard and full-featured software that are a part of other Eos Family consoles, Ion Xe 20 also has twenty non-motorized faders and dedicated displays to easily run control manually.

Eos Family software includes:

- Approachable yet powerful syntax for programmers of every level
- Industry-leading color control tools
- Magic Sheets for custom programming and displays
- Augment3d 3D programming and visualization environment
- Virtual Media Server function for pixel-mapping
- Timecode and automation integration
- Multi-user and multi-programmer working environment

For drawings, photos, and more, visit the [Ion Xe 20](http://ionxe20.com) product webpage. To explore the latest software features, accessories, and other Eos Family products, visit [etcconnect.com/Eos](http://etcconnect.com/Eos).

**ORDERING INFORMATION**

**ION XE 20**

MODEL	DESCRIPTION	PART NUMBER
Ion Xe 20 - 2K	Ion Xe 20 console, 2,048 outputs (base)	4311A1021 *
Ion Xe 20 - 12K	Ion Xe 20 console, 12,288 outputs (maximum)	4311A1022 *
Ion Xe 20 10K Up	After-sale 10K output upgrade	4331A0060
Ion Xe 20 10K Initial Up	Ion Xe 20 10K initial output upgrade †	4331A0062
Ion Xe RPU - 2K	Ion Xe Remote Processor Unit, 2,048 outputs (base)	4311A1031 *
Ion Xe RPU - 12K	Ion Xe Remote Processor Unit, 12,288 outputs (maximum)	4311A1032 *
Ion Xe RPU 10K Up	Ion Xe RPU after-sale 10K output upgrade	4311A0061
Ion Xe RPU 10K Initial Up	Ion Xe RPU initial 10K output upgrade †	4311A0063

**SHIPS WITH:**

- One three-button scroll mouse and mousepad
- Alpha-numeric keyboard
- Locking regionalized IEC power cord
- Two active display port to DVI adapters
- One 18-inch LED gooseneck Littlite
- Augment3d AR target kit
- Dust cover

\* Add -US for Edison, -EU for Schuko/UK13A, -AZ for Australasian Type I

† Initial upgrade sold in some markets as an alternative to 4311A1022 / 4311A1032

All models are available without wireless radios (WiFi and Bluetooth). Please contact ETC for ordering information.



**ION XE 20 ACCESSORIES**

MODEL	DESCRIPTION	PART NUMBER
Eos MFW 10	Eos Motorized Fader Wing 10	4240A1021 *
Eos MFW 20	Eos Motorized Fader Wing 20	4240A1022 *
Eos FW 20	Eos Standard Fader Wing 20	4240A1023 *
Eos FW 40	Eos Standard Fader Wing 40	4240A1024 *
Net3 RVI3	Remote Video Interface	4250A1130 *
ETC Puck Base	ETC Puck, 1,024 outputs (base)	4380A1133
ETCnomad Base	Client Software Key Kit	4380A1011
Ion Xe 20 FC	Ion Xe 20 Flight Case	I10032

\* Add -US for Edison, -EU for Schuko/UK13A, -AZ for Australasian Type I

**HARDWARE AND INTERFACES**

- Supports two external display port monitors (1920x1080 minimum, 3840x2160 maximum), with optional single-touch or multi-touch screen control and DDC/CI support
- 20 45mm standard faders, 100 10-fader pages configurable as channels, submasters, palettes/presets, timing and effect rate/speed playback control
- Two internal monochromatic LCD displays for fader content
- Main Playback with two 100mm standard faders
- Four encoders for non-intensity parameter control
- Dedicated high-resolution intensity level wheel
- Backlit Eos keypad
- Included USB keyboard
- Solid-state hard drive
- IEC power input (100-240 VAC at 50/60Hz), fused mains power switch, locking regionalized power cable included
- Two individually configurable Gigabit Ethernet ports, RJ45 connectors
- One 802.11ac WiFi Ethernet adapter (to be enabled with future software)
- Bluetooth 5.1 for connecting input accessories (to be enabled with future software)
- sACN and Art-Net network output protocols
- Four DMX-512 / RDM 5-pin XLR ports
- Contact closure triggers via D-Sub connector
- USB 3.1 ports, for flash drives, pointing devices, keyboards (5 USB-A ports, 2 USB-C ports)
- One Littlite XLR port
- One Kensington lock port
- Multiple MIDI and/or SMPTE timecode inputs, MIDI In and Out, Analog/Serial Inputs, OSC transmit/receive, UDP transmit/receive through network interface or Response Gateways

ION XE 20 DIMENSIONS AND WEIGHTS \*

MODEL	HEIGHT		WIDTH		DEPTH		WEIGHT	
	mm	in	mm	in	mm	in	kg	lb
Ion Xe 20	107	4.2	744	29.3	362	14.2	7.35	16.6
Ion Xe 20 in shipping container	197	7.8	927	36.5	470	18.5	9.98	20.4
Ion Xe 20 in flight case	212	8.3	1146	45.1	494	19.5	18.94	41.8

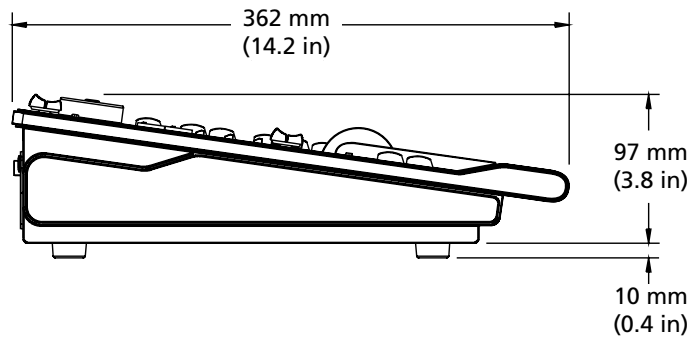
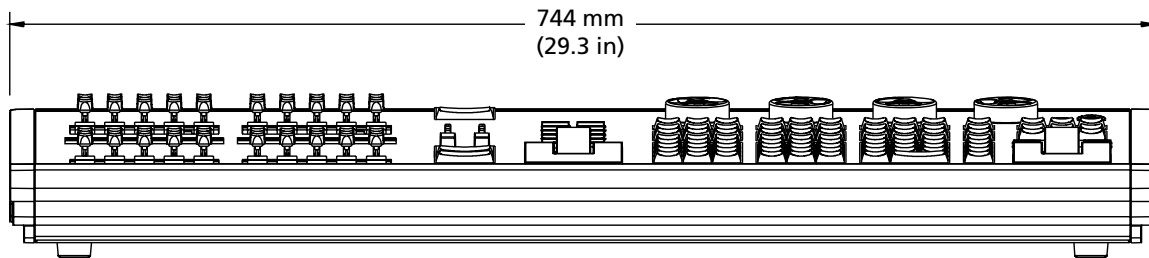
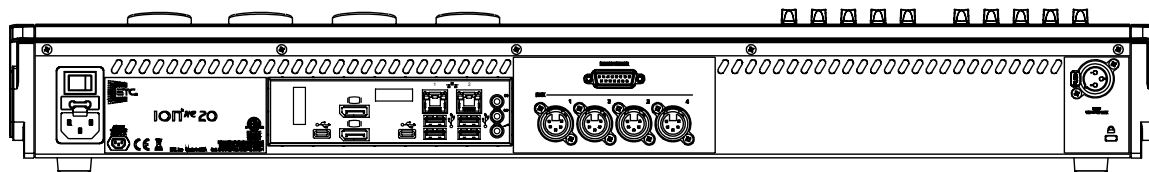
\* Dimensions and weights typical

ELECTRICAL AND THERMAL

- Power consumption approximately 2 amps at 120V or 230/240V
- Ambient room temperature 0°-35° C (32°-95° F)
- Ambient humidity up to 90% non-condensing

REGULATORY AND COMPLIANCE

- CE Compliant
- cETLus listed
- UKCA marked
- FCC compliant
- RoHS compliant
- WEEE



Corporate Headquarters • Middleton, WI USA  
 Global Offices • London, UK • Rome, IT • Holzkirchen, DE • Paris, FR • Hong Kong  
 Dubai, UAE • Singapore • New York, NY • Orlando, FL • Los Angeles, CA • Austin, TX  
 Copyright©2022 ETC. All Rights Reserved. All product information and specifications subject to change. Rev D 2022-01  
 Trademark and patent info: [etconnect.com/tp](http://etconnect.com/tp)

[etconnect.com](http://etconnect.com)